
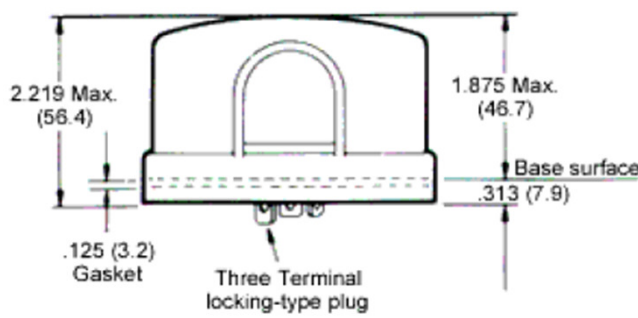
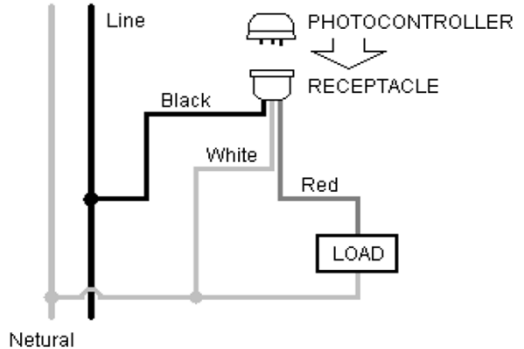


natural^{led}

Product Engineering Spec

Product Spec			
Category	Dusk to Damn Sensor	PICTURE	
Item Code	P10030		
Stock Code	SEN-PHO-LK-MT/MV		
Housing Color	Blue		





Install the photocontroller with the Photocell facing the NORTH direction as indicated on the top of the photocontroller. Adjust the receptacle position if necessary.

Technical Data	
Rated Wattage	1.5W
Input Voltage	110~277Vac
Voltage Frequency	50/60Hz
Rated Loading	1000W
On/Off Level	6Lux---On 50Lux---Off
Ambient Temperature	-40°F to 158°F
Related Humidity	0.99
Diameter (in)	3.3
Height (in)	2.59
Weight (lbs)	0.145
Time Delay	3-20 seconds

Comments:
 -This product provides twist Lock terminals meeting the requirements of ANSI C136.10-1996 and the Standard for Plug-in, Locking Type Photocontrols for use with Area Lighting UL773, 4th Edition, dated Jan. 19th,1995, certified by Intertek.
 -Surge Arrester Built-in (110 Jole/3500Amp)